

Modular Cooking Range Line thermaline 80 - Electric Warming Plate Top, 1 Side with Backsplash

ITEM # _____

MODEL # _____

NAME # _____

SIS # _____

AIA # _____



588337
 (MARAABFOBO) Electric Warming Plate, 1-sided operated,
 with backsplash

Main Features

- THERMODUL connection system creates a seamless work top when units are connected to each other thus avoiding soil penetrating vital components and facilitating the removal of units in case of replacement or service.
- Metal knobs with embedded hygienic "soft-touch" grip for easier handling and cleaning. The special design of the controls prevents infiltration of liquids or soil into vital components.
- Fast deployment with full heating power immediately.
- The smooth glass-ceramic surface can be quickly and easily cleaned, thus providing maximum hygiene.
- Almost the entire surface of the ceramic plate can be used without "dead" spots.
- Pans can easily be moved from one area to another without lifting.
- All major components may be easily accessed from the front.
- Overheat protection via a temperature sensor that switches off part of the heating element in the event of over temperature. Temperature range from 30°C to 110°C.

Construction

- 2 mm top in 1.4301 (AISI 304).
- Unit constructed according to DIN 18860_2 with 20 mm drop nose top and 70 mm recessed plinth.
- Flat surface construction with minimal hidden areas to easily clean all surfaces
- Internal frame for heavy duty sturdiness in 1.4301 (AISI 304).
- Unit constructed according to DIN 18860_2 with 20 mm drop nose top.
- IPX5 water resistance certification.

Optional Accessories

- Scraper for cook tops PNC 910601
- Connecting rail kit for appliances with backsplash, 800mm PNC 912497
- Connecting rail kit for appliances with backsplash: modular 80 (on the left), ProThermetic tilting (on the right), ProThermetic stationary (on the left) to ProThermetic tilting (on the right) PNC 912977
- Connecting rail kit for appliances with backsplash: modular 80 (on the right), ProThermetic tilting (on the left), ProThermetic stationary (on the right) to ProThermetic tilting (on the left) PNC 912978
- Back panel, 600x700mm, for units with backsplash PNC 913011
- Back panel, 600x800mm, for units with backsplash PNC 913024
- Endrail kit, flush-fitting, with backsplash, left PNC 913113

APPROVAL: _____



Electrolux
PROFESSIONAL

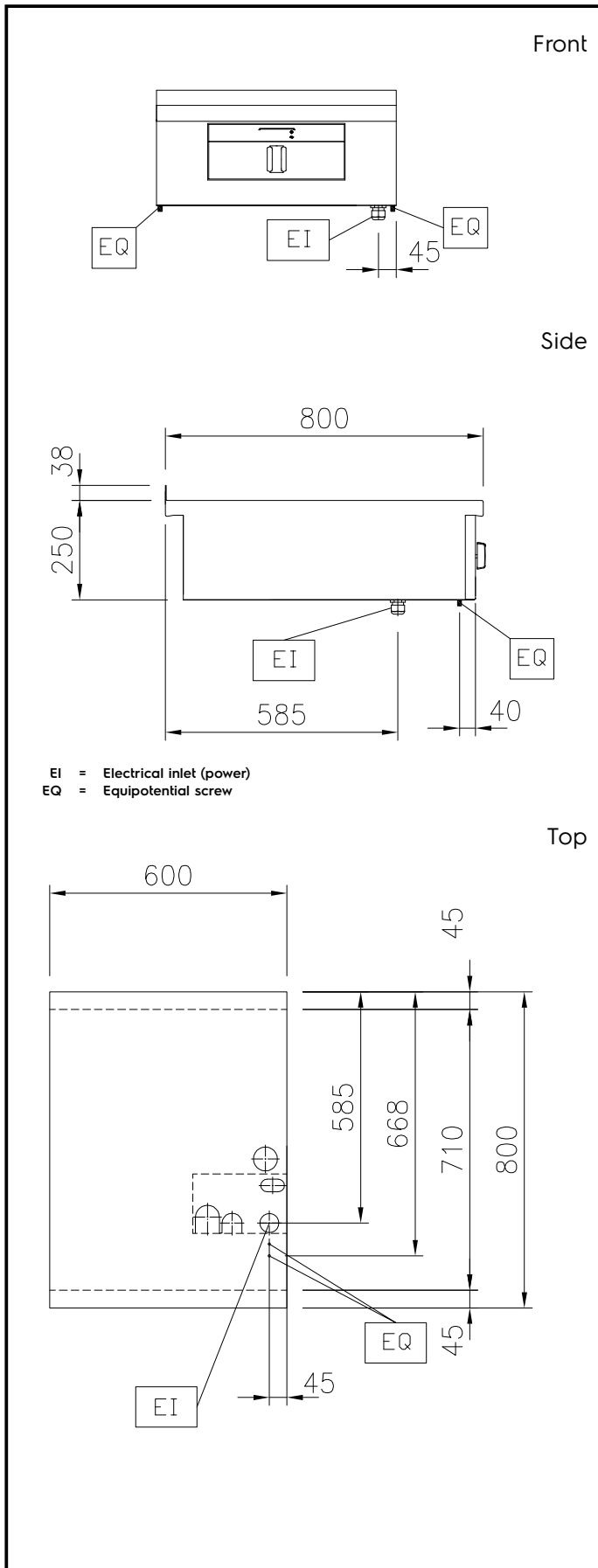
Modular Cooking Range Line thermaline 80 - Electric Warming Plate Top, 1 Side with Backsplash

- Endrail kit, flush-fitting, with backsplash, PNC 913114
right
- Endrail kit (12.5mm) for thermaline 80 PNC 913204
units with backsplash, left
- Endrail kit (12.5mm) for thermaline 80 PNC 913205
units with backsplash, right
- Insert profile D=800mm PNC 913230



Modular Cooking Range Line
thermaline 80 - Electric Warming Plate Top, 1 Side with Backsplash
The company reserves the right to make modifications to the products
without prior notice. All information correct at time of printing.

2026.05.12



Electric

Supply voltage: 230 V/1N ph/50/60 Hz
 Total Watts: 0.55 kW

Key Information:

External dimensions, Width: 600 mm
 External dimensions, Depth: 800 mm
 External dimensions, Height: 250 mm
 Net weight: 30 kg
 Configuration: One-Side Operated;Top
 Front Plates Power: 0 - 0 kW
 Front Plates dimensions:

Sustainability

Current consumption: 2.39 Amps